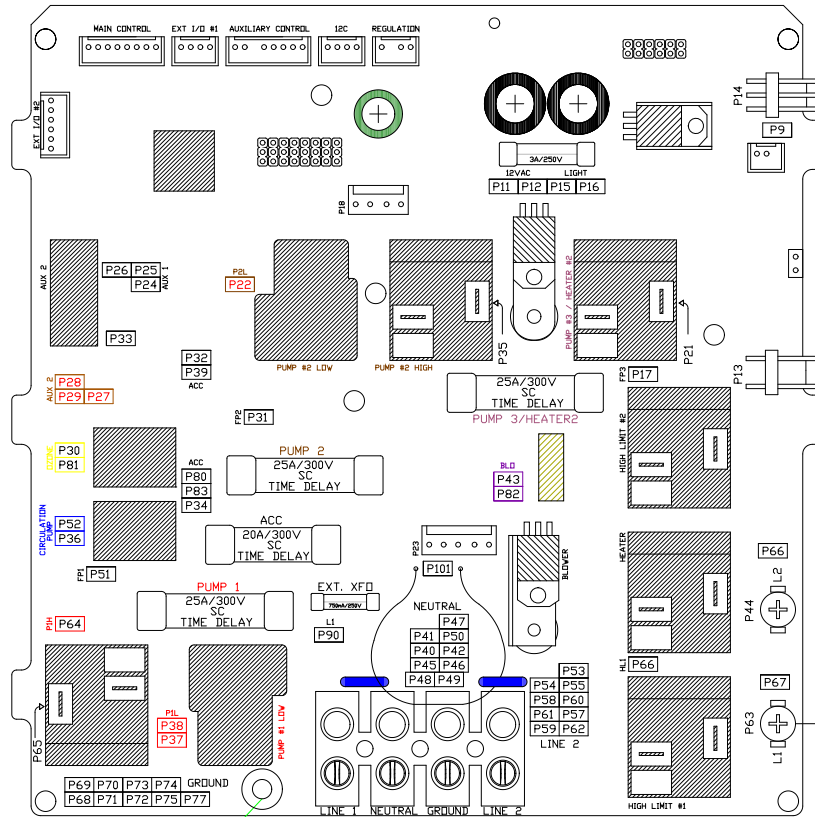


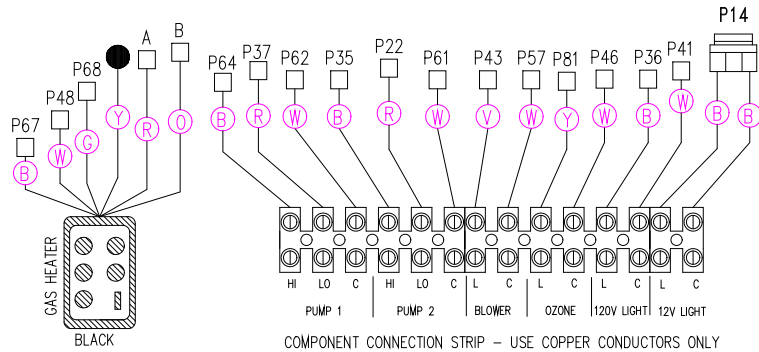
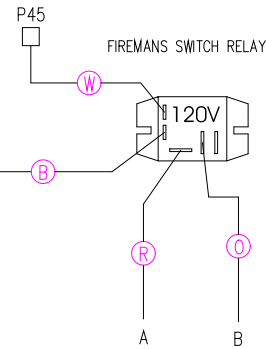
LEGEND

- - 1/4" QUICK CONNECT
- ▢ - 1/4" PIGGYBACK
- ⊞ - FORK CONNECTOR
- - RING CONNECTOR
- ◻ - SOCKET CONNECTOR
- △ - PIN CONNECTOR

33-0027-R1



USE COPPER CONDUCTORS ONLY
MAIN INPUT SERVICE
SEE MANUAL

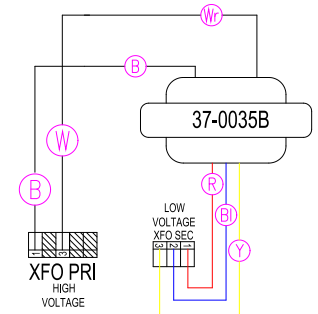


COMPONENT CONNECTION STRIP - USE COPPER CONDUCTORS ONLY



ALL COMPONENTS MUST BE GROUNDED

13-0014A Housing - 19.25"



HYDRO-QUIP
 CORONA, CA (909) 273-7575

Manufacture Notes:

Dwg. No.
G822A0-KLPQY-J

Drawn MBS
 Date 03.16.11
 Diagram No. 5161

Rev 04

Wire Color Code
 B - Black G - Green
 Br - Brown Bl - Blue
 R - Red V - Violet
 O - Orange W - White
 Y - Yellow Gr - Gray